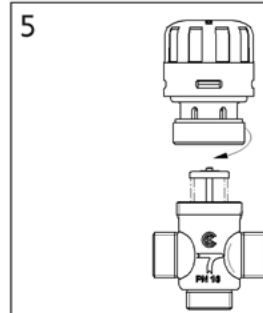
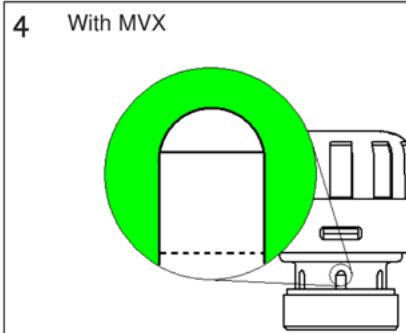
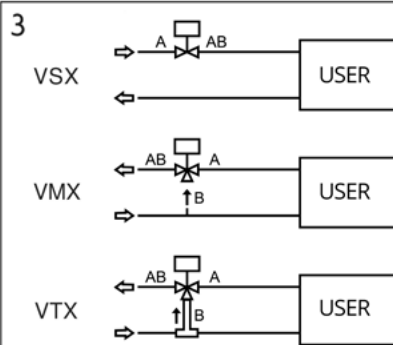
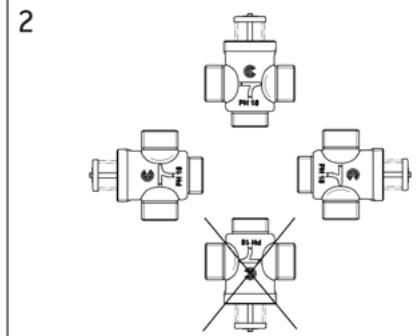
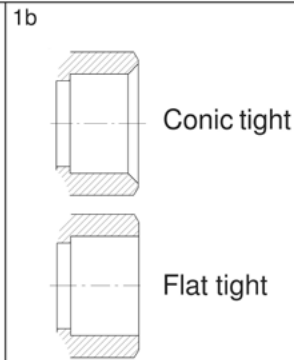
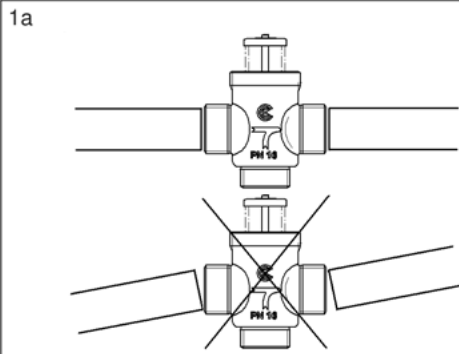


MOUNTING INSTRUCTIONS

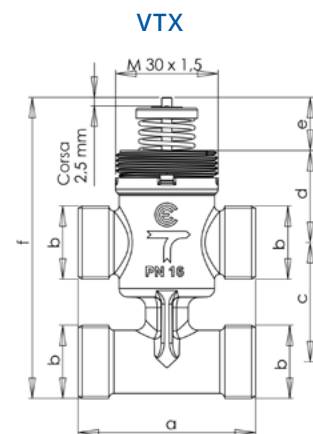
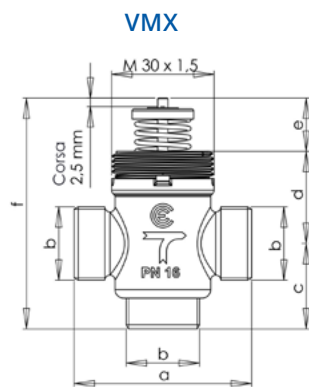
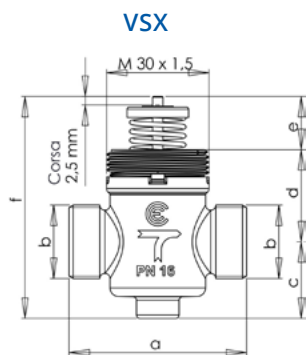


Model	a	b	c	d	e	f
VSX09P VSX10P VSX11P VSX12P VSX13 VSX13P	52	G1/2"A	22,5	27	15,6	65
VSX21 VSX21P	56	G3/4"A	23,6	25,8	15,6	
VSX24P VSX26P	78	G3/4"A	20,5	41	15,6	77,1
VSX28P		G1"A				

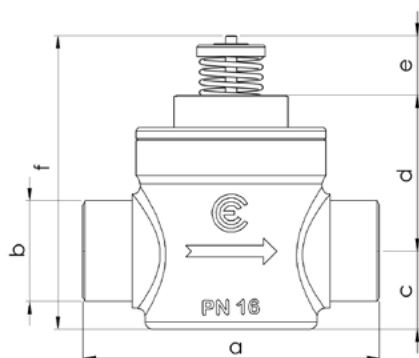
Model	a	b	c	d	e	f
VMX09P VMX10P VMX11P VMX12P VMX13 VMX13P	52	G1/2"A	25	27	15,6	65
VMX21 VMX21P	56	G3/4"A	34	25,8	15,6	75,4
VMX24P VMX26P	78	G3/4"A	35,5	41	15,6	92,1
VMX28P		G1"A				

The performances stated in this sheet can be modified without any prior notice.

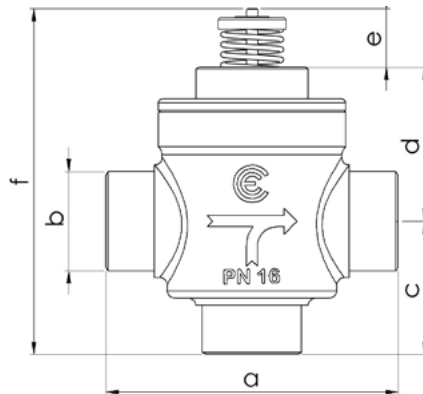
Model	a	b	c	d	e	f
VTX09P VTX10P VTX11P VTX12P VTX13 VTX13P	52	G1/2"A	35	27	15,6	88,4
VTX09 VTX10P4 VTX11P4 VTX12P4 VTX13P4 VTX13P4	56	G1/2"A	40	27	15,6	93,4
VTX21 VTX21P	56	G3/4"A	50	25,8	15,6	98,4
VTX21P4			40			88,4
VTX24P	78	G3/4"A	44	41	15,6	113,8
VTX26P						



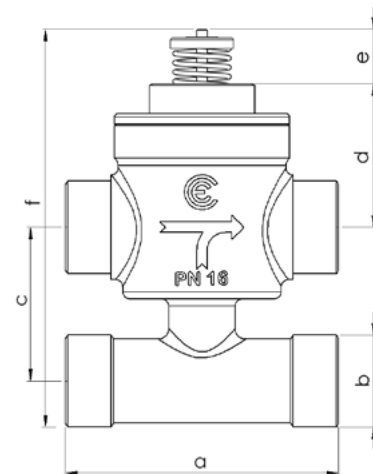
VSX24P, VSX26P, VSX28P



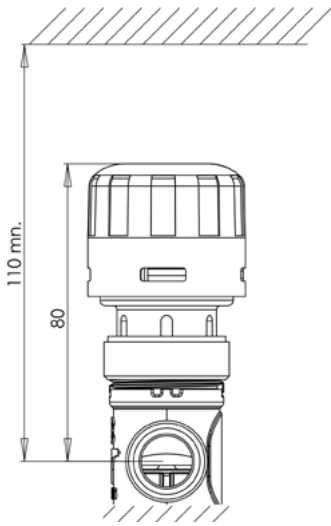
VMX24P, VMX26P, VMX28P



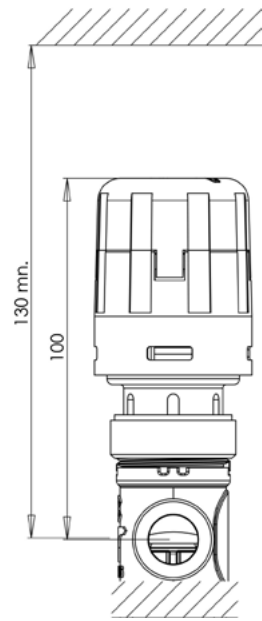
VTX24P, VTX26P



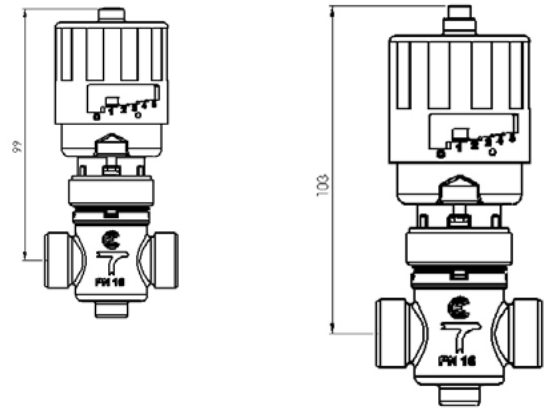
V.X+MVX22-42R (140N)



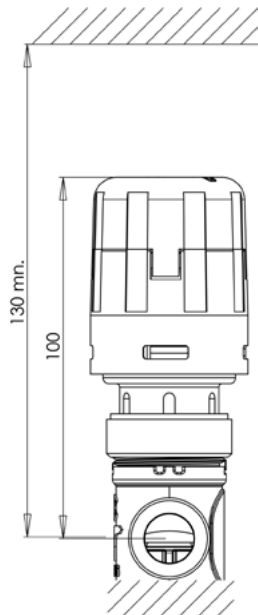
V.X+MVX52 (140N)



V.X+MCA.L (140N)



V.X..P+MVX52



V.X..P+MCA

