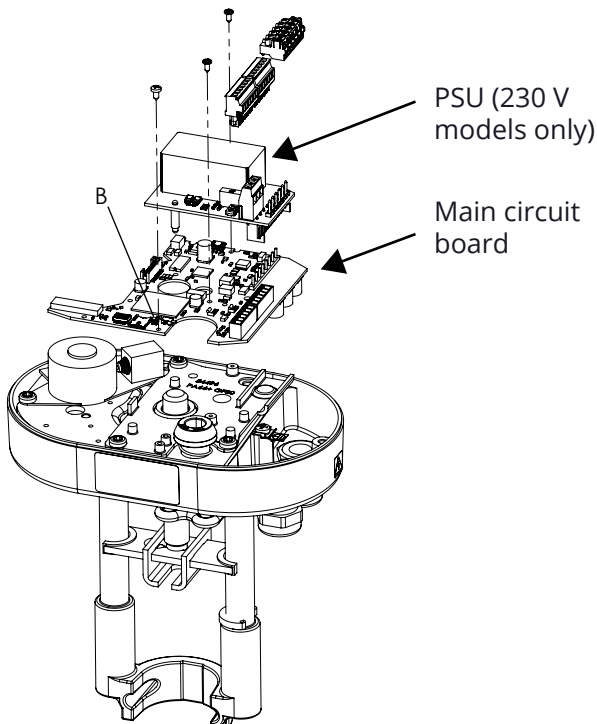


PART NUMBER	DESCRIPTION
PL-PT-EBV-1	Pressure transducers for EBV (1 pcs). Adapter and wires with connector included.
SNTC-SL-3-EBV	Temperature Sensor NTC 10 kOhm, Lenght 3 m (1 pcs)
SNTC-SL	Temperature Sensor NTC 10 kOhm, Lenght 1,5 m (1 pcs)
PB	Immersion Sleeve for Temperature Sensors (2 pcs)

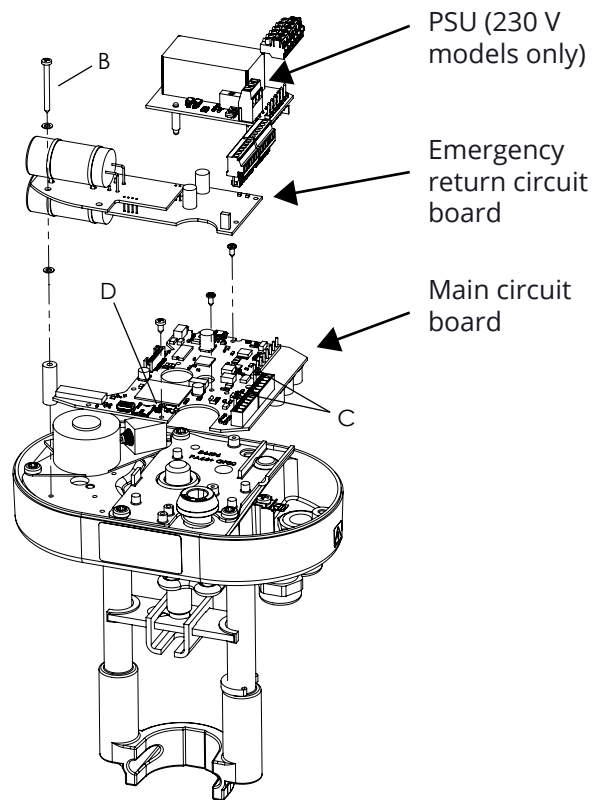
The performances stated in this sheet can be modified without any prior notice.

MODEL COMPONENT COMPOSITION

EBV MODEL	VALVE	ACTUATOR	CIRCUIT BOARD	TERMINAL BLOCKS
EBV65-024-000	2FGB65B-EBV	MVEBV515-065-0	MVEBV5CS-065-0	2x 89401-83 (6 poles) 1x 89401-64 (8 poles)
EBV80-024-000	2FGB80B-EBV	MVEBV515-080-0	MVEBV5CS-080-0	
EBV100-024-000	2FGB100B-EBV	MVEBV515-100-0	MVEBV5CS-100-0	
EBV125-024-000	2FGB125B-EBV	MVEBV515-125-0	MVEBV5CS-125-0	
EBV150-024-000	2FGB150B-EBV	MVEBV515-150-0	MVEBV5CS-150-0	
EBV65-024-001	2FGB65B-EBV	MVEBV515-065-1	MVEBV5CS-065-1	
EBV80-024-001	2FGB80B-EBV	MVEBV515-080-1	MVEBV5CS-080-1	
EBV100-024-001	2FGB100B-EBV	MVEBV515-100-1	MVEBV5CS-100-1	
EBV125-024-001	2FGB125B-EBV	MVEBV515-125-1	MVEBV5CS-125-1	
EBV150-024-001	2FGB150B-EBV	MVEBV515-150-1	MVEBV5CS-150-1	
EBV65-230-000	2FGB65B-EBV	MVEBV215-065-0	MVEBV2CS-065-0	2x 89401-83 (6 poles) 1x 89401-65 (6 poles)
EBV80-230-000	2FGB80B-EBV	MVEBV215-080-0	MVEBV2CS-080-0	
EBV100-230-000	2FGB100B-EBV	MVEBV215-100-0	MVEBV2CS-100-0	
EBV125-230-000	2FGB125B-EBV	MVEBV215-125-0	MVEBV2CS-125-0	
EBV150-230-000	2FGB150B-EBV	MVEBV215-150-0	MVEBV2CS-150-0	
EBV65-230-001	2FGB65B-EBV	MVEBV215-065-1	MVEBV2CS-065-1	
EBV80-230-001	2FGB80B-EBV	MVEBV215-080-1	MVEBV2CS-080-1	
EBV100-230-001	2FGB100B-EBV	MVEBV215-100-1	MVEBV2CS-100-1	
EBV125-230-001	2FGB125B-EBV	MVEBV215-125-1	MVEBV2CS-125-1	
EBV150-230-001	2FGB150B-EBV	MVEBV215-150-1	MVEBV2CS-150-1	



Models without emergency return



Models with emergency return